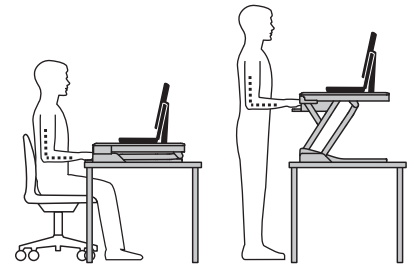
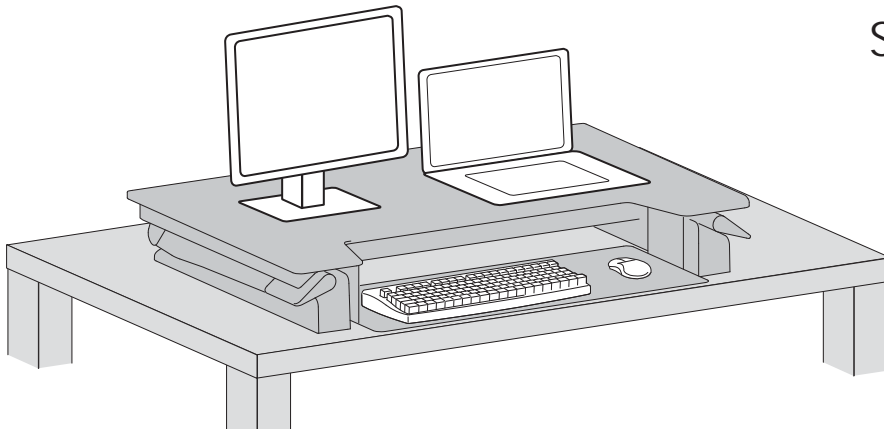
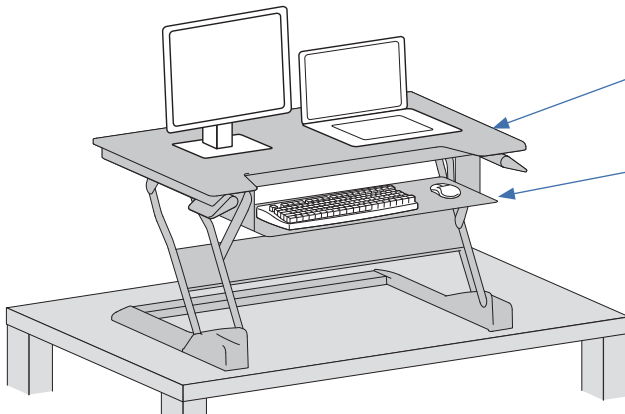
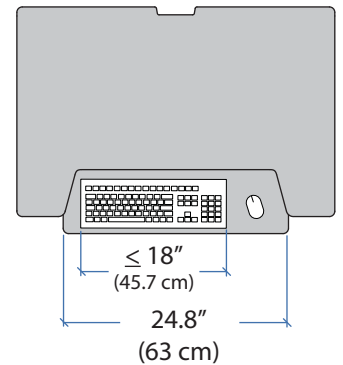
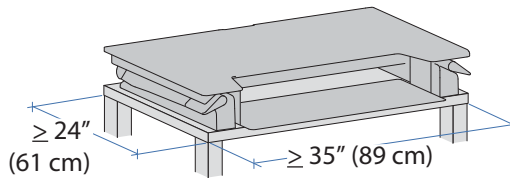
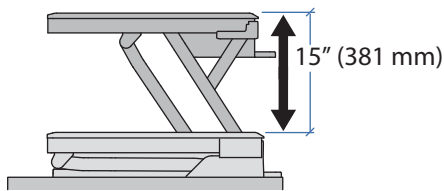


WorkFit-T

Sit-Stand Desktop Workstation



Features & Specifications



A **LB**
kg 10 - 35 lbs
(4.5 - 15.88 kg)

B **LB**
kg ≤ 5 lbs
(2.27 kg)

LB
kg

A+B = 10 - 35 lbs (4.5-15.9 kg)



CAUTION: DO NOT EXCEED MAXIMUM LISTED WEIGHT CAPACITY. SERIOUS INJURY OR PROPERTY DAMAGE MAY OCCUR!

ENGLISH



Components

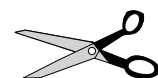
	A	B	C	D
1				



Includes
Constant Force™
Technology



01639 844500
sales@healthyworkstations.com
www.healthyworkstations.com

Tools Needed



Safety

 **Warning:** Because mounting surface materials can vary widely, it is imperative that you make sure mounting surface is strong enough to handle mounted product and equipment.

 WARNING	 <small>828-100</small>
PINCH POINT DO NOT place hands on or near support bars. Pinch points are created during lifting and lowering the worksurface. Failure to follow these instructions may result in serious personal injury.	



Warning: Impact Hazard! Moving Parts can Crush and Cut.
Raise this product to its full up position before lifting off the desk.
Two people are required to lift this product off the desk.
Do not tip this product on its side or upside down. This product must remain upright at all times.
Failure to heed this warning may cause unintended motion of the lift mechanism resulting in possible serious personal injury and or property damage!



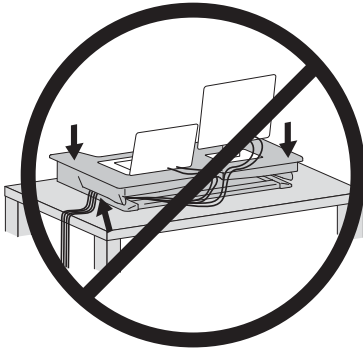
Warning: Impact Hazard! Moving Parts can Crush and Cut.
Raise worksurface to top of vertical adjustment BEFORE removing equipment.
Failure to heed this warning may result in serious personal injury and or property damage!

ENGLISH

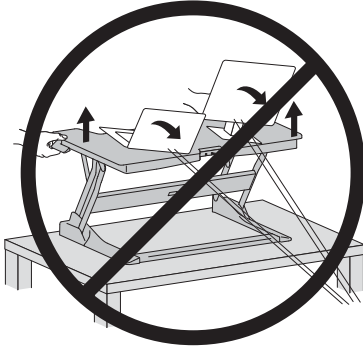
01639 844500
sales@healthyworkstations.com
www.healthyworkstations.com



Safety



Caution:
To avoid the potential to pinch cables it is important to follow the cable routing instructions in this manual. Failure to follow these instructions may result in equipment damage or personal injury.



Caution:
Leave enough slack in cable to allow for full range of vertical motion (15" / 38 cm). Failure to heed this warning may result in property damage and or personal injury.



Caution:
Keep monitor and laptop base fully on the worksurface. Allowing any part of base or stand to hang off the edge may result in property damage and or personal injury.



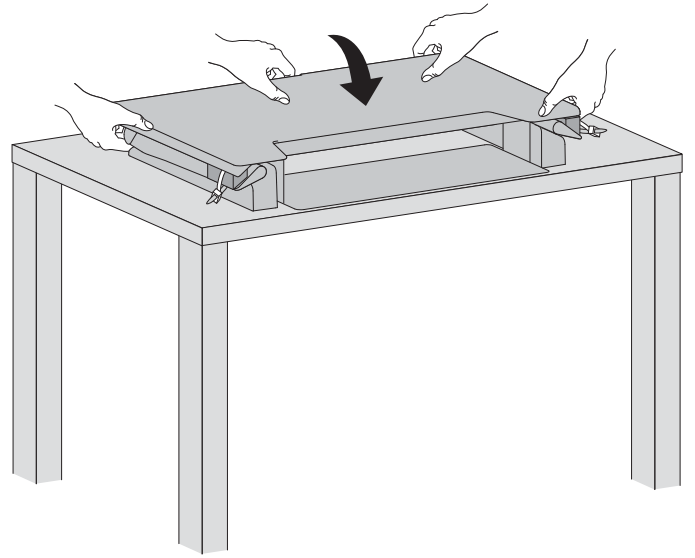
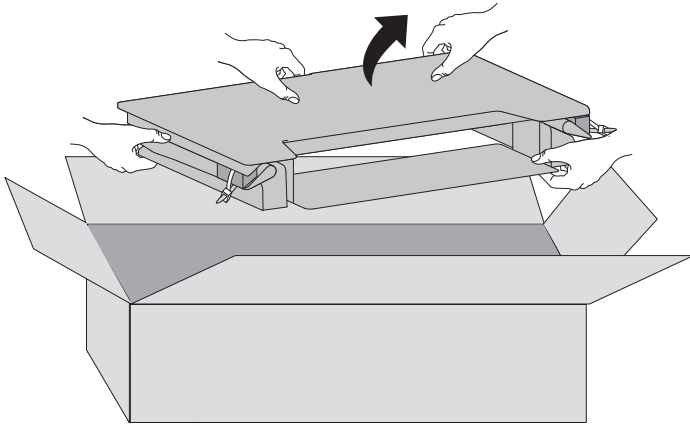
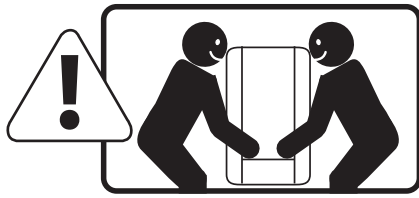
Caution:
Raise worksurface slowly. Raising worksurface too fast may create an unstable situation resulting in property damage and or personal injury.

01639 844500

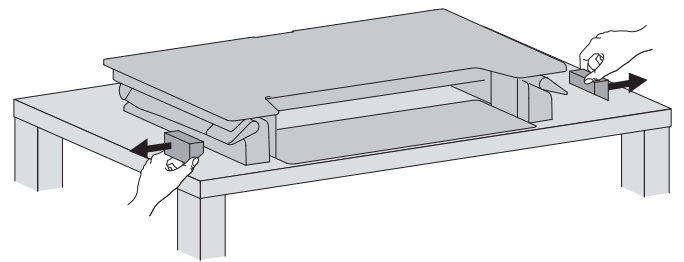
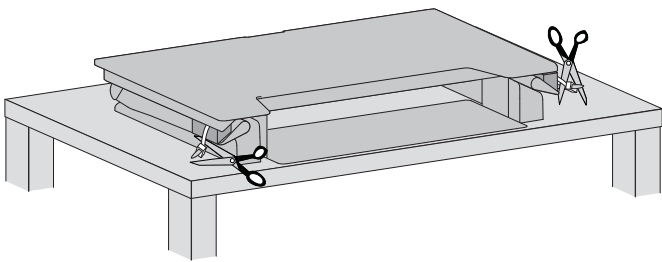
sales@healthyworkstations.com

www.healthyworkstations.com

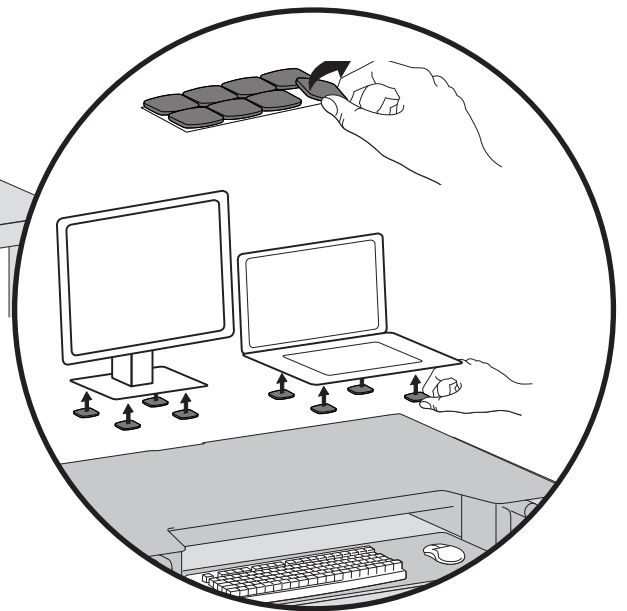
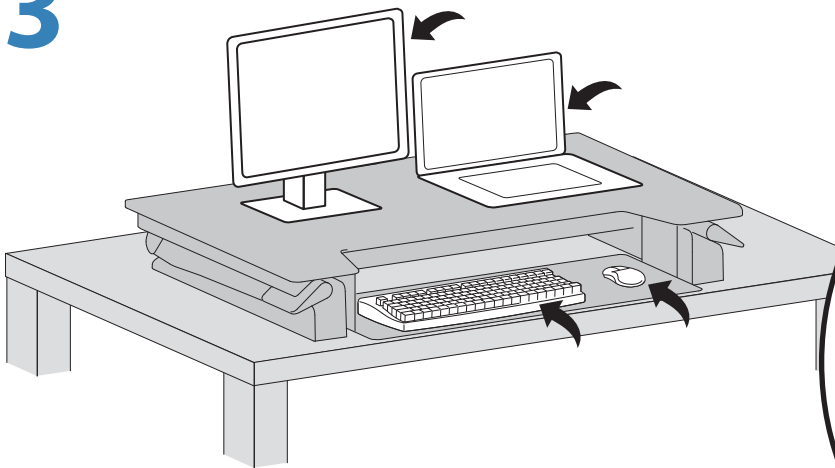
1



2

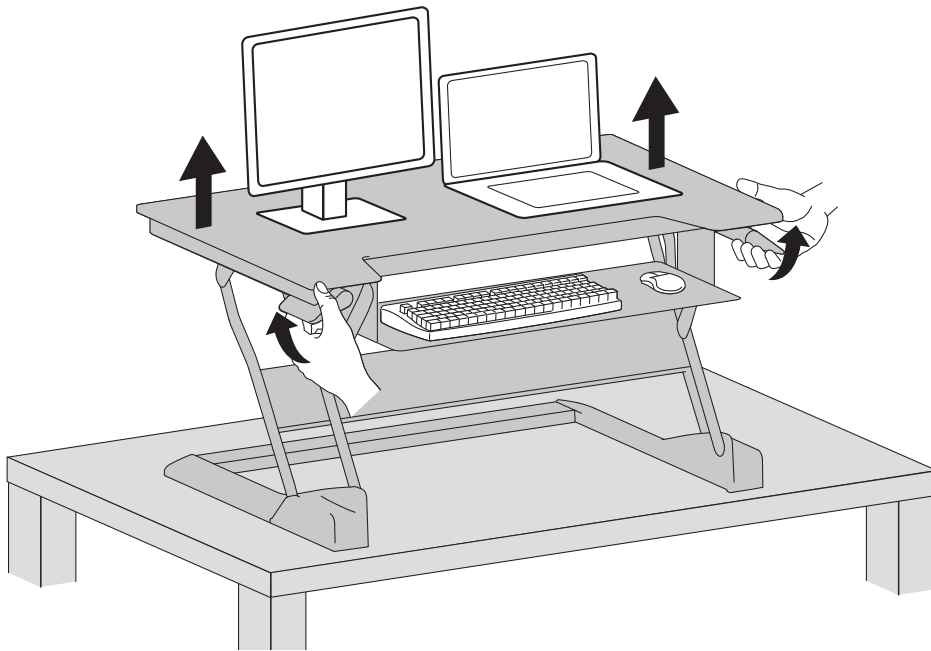


3

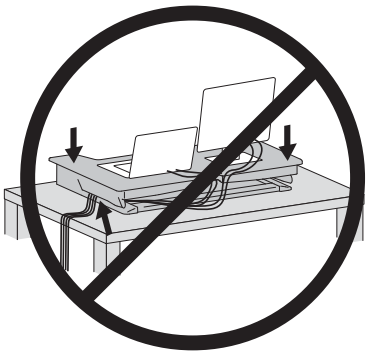


Caution: Keep monitor and laptop base fully on the worksurface. Allowing any part of base or stand to hang off the edge may result in property damage and or personal injury.

4

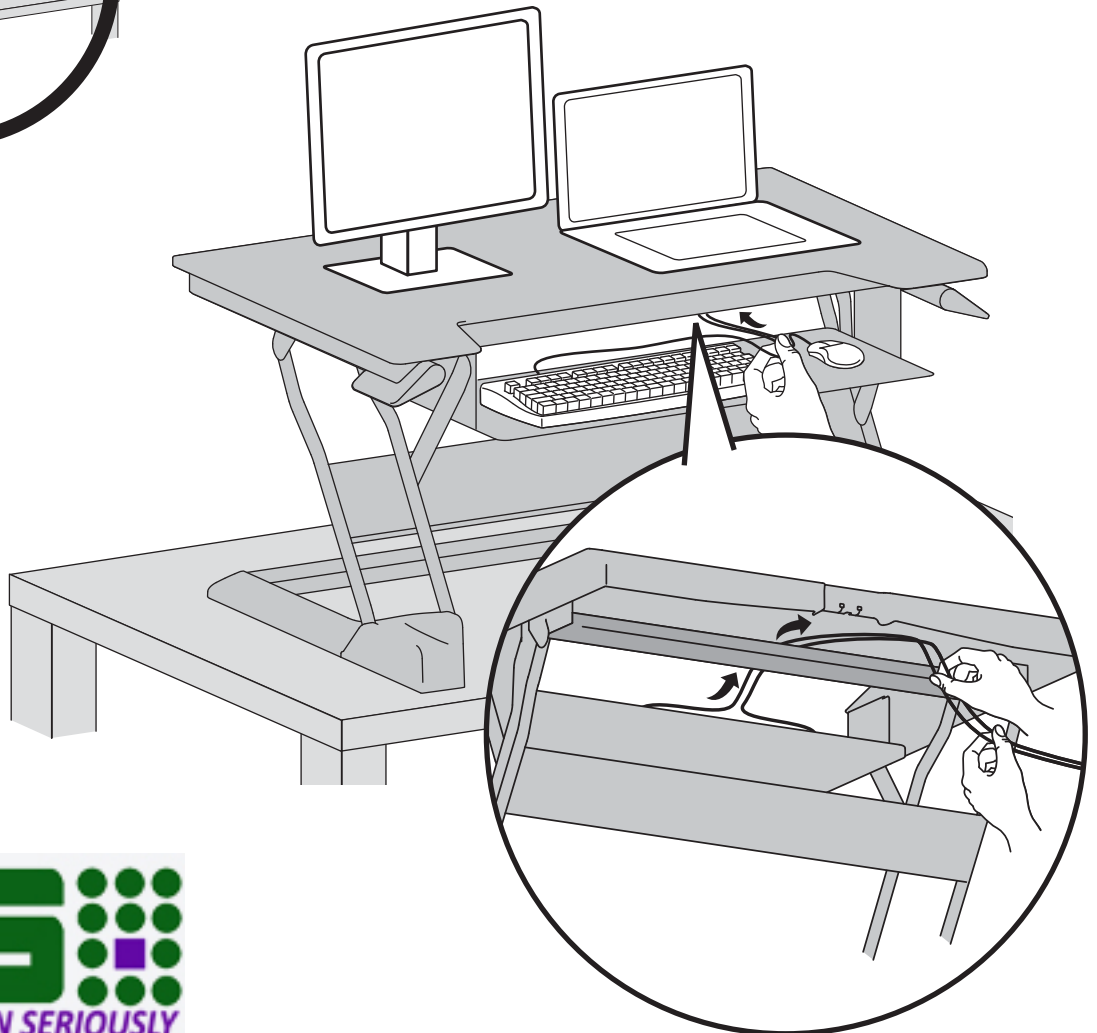


5

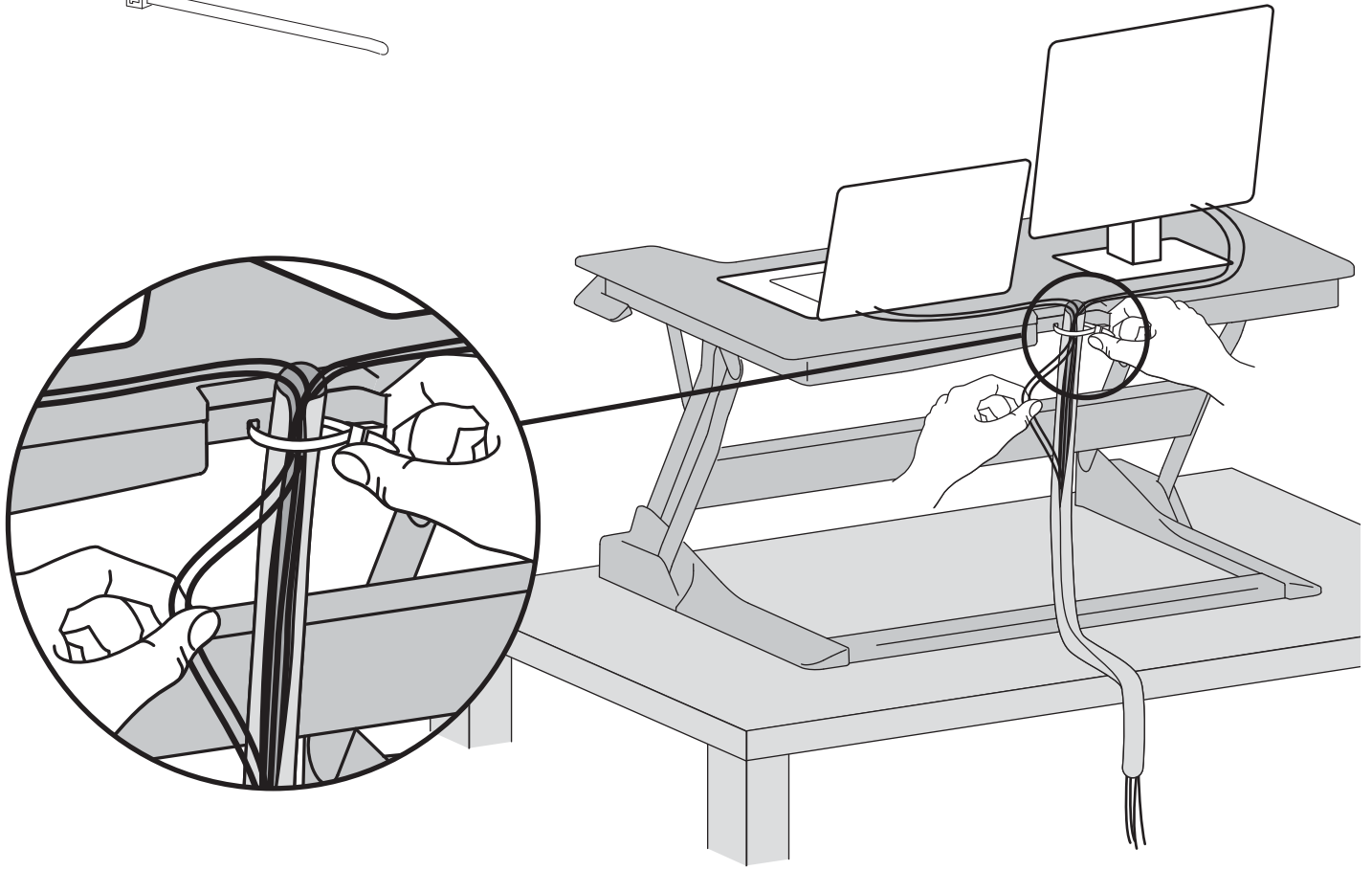
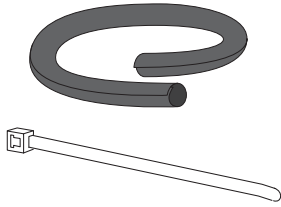


Caution:

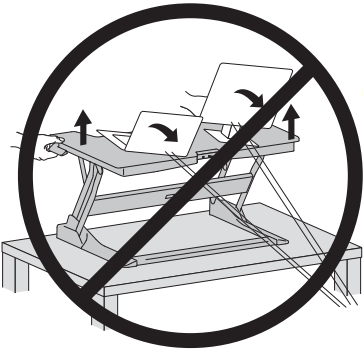
To avoid the potential to pinch cables it is important to follow the cable routing instructions in this manual. Failure to follow these instructions may result in equipment damage or personal injury.



6



ENGLISH



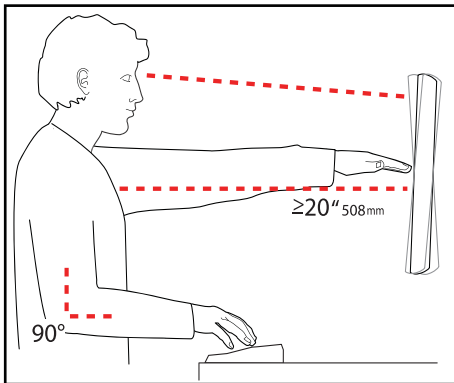
Caution:

Leave enough slack in cable to allow for full range of vertical motion (15" / 38 cm). Failure to heed this warning may result in property damage and or personal injury.

01639 844500
sales@healthyworkstations.com
www.healthyworkstations.com



Set Your Workstation to Work For YOU!



Learn more about ergonomic computer use at:
www.computingcomfort.org

- Height** Position top of screen slightly below eye level.
Position keyboard at about elbow height with wrists flat.
- Distance** Position screen an arm's length from face—at least 20" (508mm).
Position keyboard close enough to create a 90° angle in elbow.
- Angle** Tilt screen to eliminate glare.
Tilt the keyboard back 10° so that your wrists remain flat.

To Reduce Fatigue

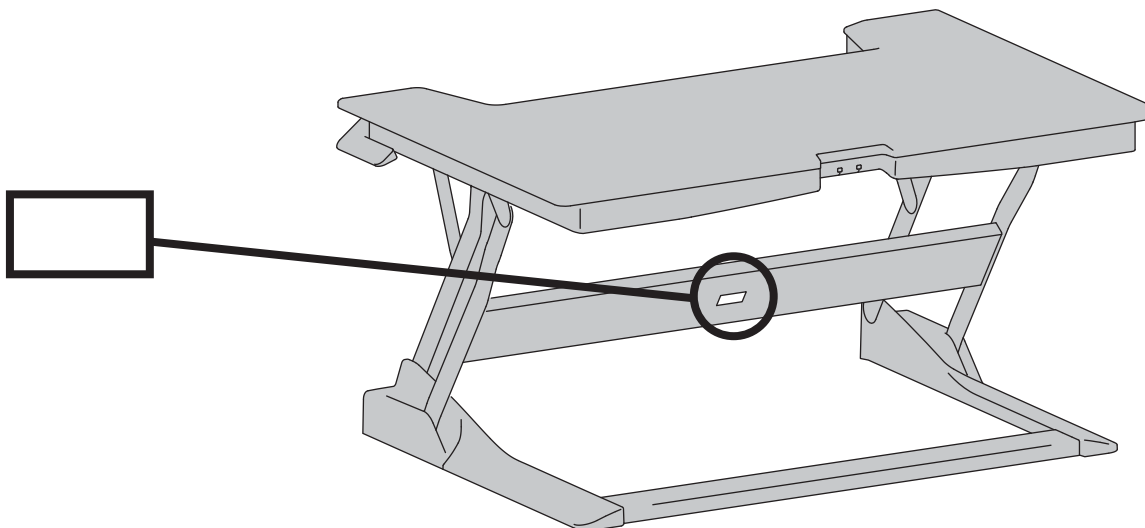
- Breathe - Breathe deeply through your nose.
- Blink - Blink often to avoid dry eyes.
- Break • 2 to 3 minutes every 20 minutes
- 15 to 20 minutes every 2 hours.

For service and warranty visit www.ergotron.com

For local customer care phone numbers visit: <http://contact.ergotron.com>



NOTE: When contacting customer service, reference the serial number.



ENGLISH

01639 844500

sales@healthyworkstations.com
www.healthyworkstations.com



ERGOTRON®

While Ergotron, Inc. makes every effort to provide accurate and complete information on the installation and use of its products, it will not be held liable for any editorial errors or omissions (including those made in the process of translation from English to another language), or for incidental, special or consequential damages of any nature resulting from furnishing this instruction and performance of equipment in connection with this instruction. Ergotron, Inc. reserves the right to make changes in the product design and/or product documentation without notification to its users. For the most current product information, or to know if this document is available in languages other than those herein, please contact Ergotron. No part of this publication may be reproduced, stored in a retrieval system, or transmitted in any form or by any means, electronic, mechanical, photocopying, recording or otherwise without the prior written consent of Ergotron, Inc., 1181 Trapp Road, Eagan, Minnesota, 55121, USA. Patents Pending and Patented U.S. & Foreign. Ergotron is a registered trademark of Ergotron, Inc.

© 2015 Ergotron, Inc. All rights reserved.