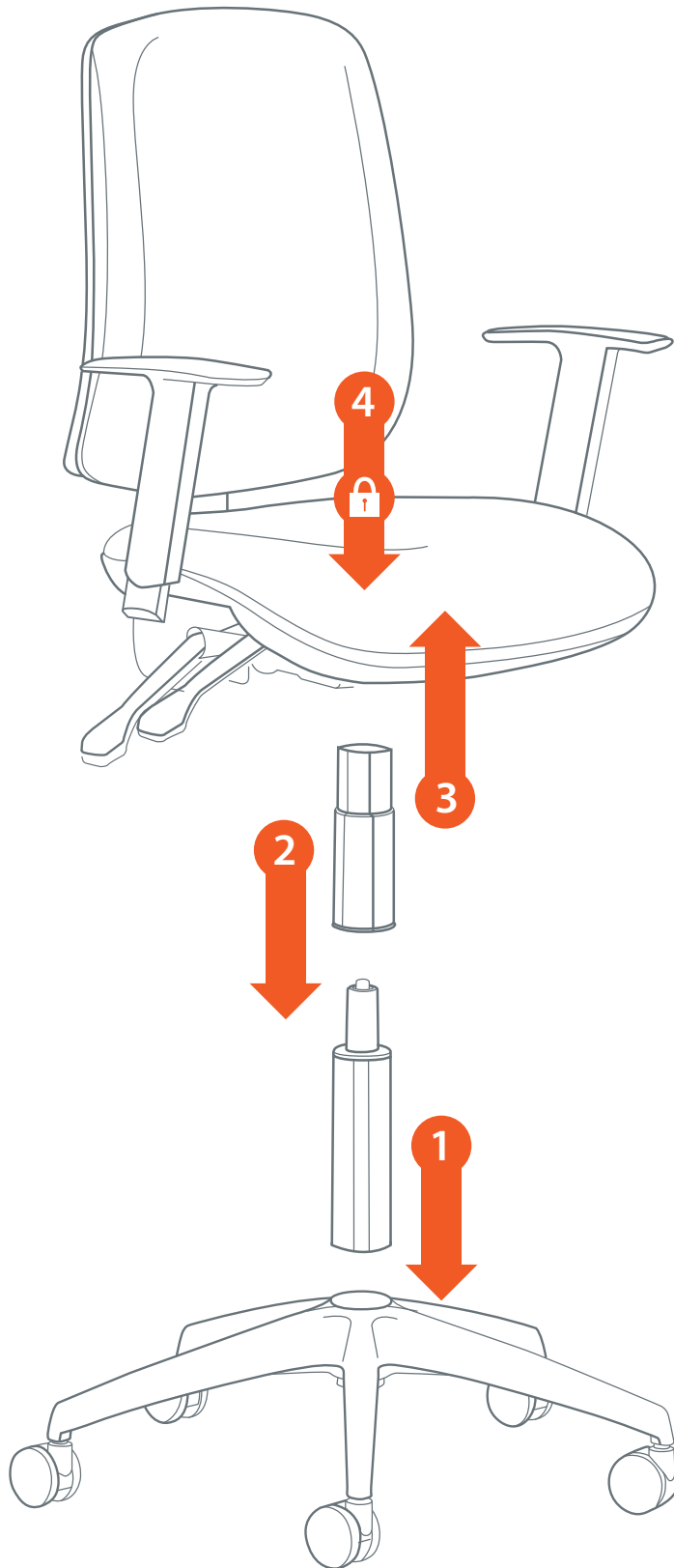


Assembly Instructions

For all Operator and Task Chairs



Setting up a chair

- 1 Insert Gas Lift into Base
- 2 Place teletube over gas lift
- 3 Slot gas lift into mechanism
- 4 Place user weight on seat to lock into place