

rh logic



RH Logic is a durable and highly adjustable range of chairs suitable for a wide range of working environments and users, including those who sit for long periods. RH Logic is designed on the basis of 2PP™, our unique philosophy about the importance of flexibility in sitting. The backrest can be adjusted separately, while all basic settings are maintained, even when using the tilt mechanism. The RH Logic also has an adjustable lumbar support. The RH Logic is available in two sizes.

Our philosophy of ergonomics

At RH Chairs we have our own philosophy of ergonomics based on the two important principles of upright posture and active sitting. These principles improve breathing and circulation and stimulate the muscles. The philosophy is evident in the RH Logic range through the unique "two-point principle" or 2PP™, which ensures that your body receives the variation and support it requires as you move. Because the chair's basic settings do not change, this helps you to do more and perform better.

The neckrest (Logic 4 only) is adjustable by height and depth, thereby enhancing comfort for the entire body.

The backrest has a generous adjustable lumbar support, providing comfort for the entire back. The height of the backrest is easily adjusted while sitting and its tapered design and "Tvedts" cushion allows your upper body to move freely, while giving great support.

The degree of lumbar support is adjusted using an air pump.

The resistance of the tilt mechanism is simply adjusted according to body weight and height. This allows the chair to follow your movements without the need to exert muscular force to push the chair into new positions. The control is located beneath the seat.

Different base designs are available: graphite, black or polished aluminium.

Castors for both hard and soft floors are available. You can also select glides instead of castors.

rh logic



Armrests are optional but are recommended since they provide relief for the shoulders. Two armrest variants are available. Both can be adjusted by height and width, while one can also be adjusted by depth and the other can be rotated 360 degrees.

The design of the seat with a waterfall edge reduces pressure on the underside of the thighs, improving circulation.

Seat height and depth can be adjusted quickly and easily. The controls can be accessed even when seated. Selecting the correct height improves blood flow in the legs while the correct seat angle provides exceptional comfort and support.

The tilt mechanism is infinitely adjustable, with a smooth action that can be locked in any chosen position. Dynamic seating means the chair follows your every movement regardless of working position, providing complete support, enabling you to always sit correctly and breathe properly.

Different styles for different users
The RH Logic is available in several basic variants. All can be equipped with various accessories and extras.



RH Logic 3

RH Logic 3 has a moulded back with lumbar support for the curve of the back and extra padding to provide support between the shoulders. The backrest narrows towards the top to allow greater freedom of movement. The chair is supplied as standard with adjustable seat depth, a base in grey-lacquered aluminium and castors for soft floors. It may also be specified with an optional lumbar pump.

RH Logic 4

The RH Logic 4 has a high backrest with a pronounced lumbar support to enhance comfort. The backrest narrows towards the top to allow greater freedom of movement for the upper body. The chair is supplied as standard with an adjustable neckrest, a lumbar pump, sliding seat, base in grey-lacquered aluminium and castors for soft floors.



RH Logic 4 Exclusive

The seat and backrest of the RH Logic 4 Exclusive have thicker padding and stitched seams. A high backrest with padding between the shoulder blades provides excellent support. The chair has a pump-adjusted lumbar support, a sliding seat, a graphite aluminium base and castors for soft floors. In the Combi version, fabric and leather can be combined as required.

RH Logic 4 Elegance

The RH Logic 4 Elegance offers the same specification and features as the Exclusive, but with a leather-upholstered back-shell.

An environmentally intelligent chair

All chairs from RH are as kind to the environment as they are good for the body. Like all our chairs, the RH Logic is 100 per cent recyclable. Many of its components are made from recycled materials, our manufacturing processes use low energy technology and, when your RH Logic has come to the end of its working life, it can be returned for recycling.

Guarantee

An RH chair is built to withstand stress and to last. Before it leaves our factory it goes through rigorous tests and checks. For this reason, we also provide a five-year guarantee on the RH Logic. In addition, the RH Logic has been tested and approved in accordance with Möbel-fakta EN-1335.



Options



RH Logic

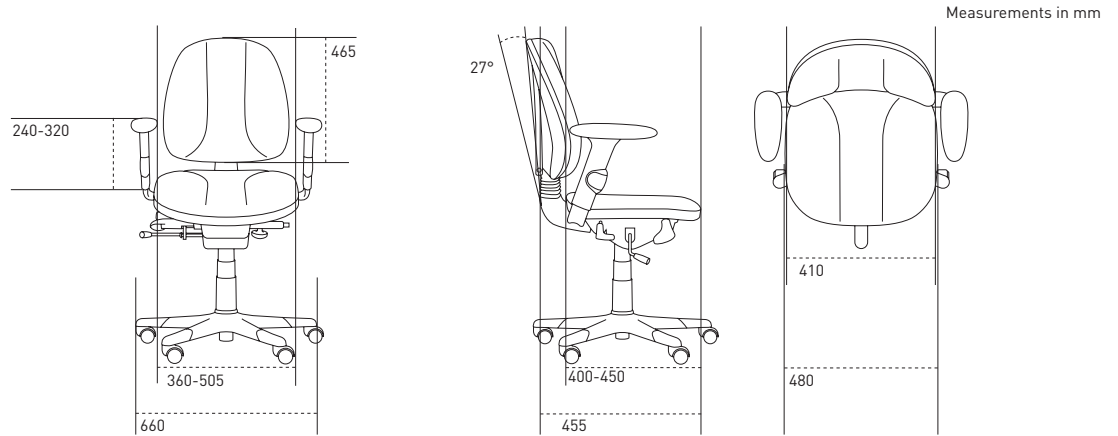
For the sake of flexibility, the RH Logic offers a generous range of accessories. Naturally, you can also buy the basic chair and add accessories as you need them.

- 1 Neckrest
- 2 Armrest 8E (height, depth, width)
- 3 Armrest 85 (height, width, rotating)
- 4 Base 5K black aluminium

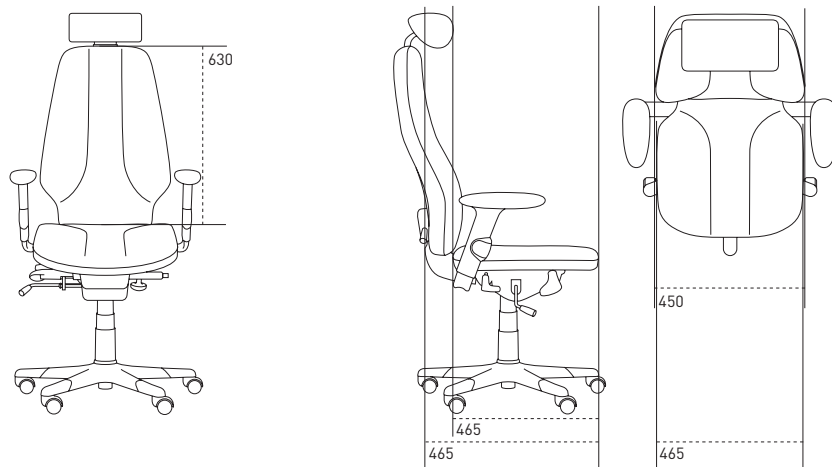
- 5 Base 5J polished aluminium
- 6 Plastic glide 7K
- 7 Castors 7H for hard floors
- 8 Castors 7G lock automatically under load

Gas stem available for different heights.
 Standard, approx. 410-530 mm
 4FL, approx. 410-490 mm
 4FH, approx. 485-610 mm

RH Logic 3



RH Logic 4



Chair model	Logic 3	Logic 4
Overall depth	400-450 mm	400-450 mm
Seat depth	455 mm	465 mm
Seat width	480 mm	465 mm
Overall height	420-540 mm	400-520 mm
Seat angle adjustment	+7°-15°	+7°-15°
Height of lumbar support above the seat	65-265 mm	195-275 mm
Backrest height	465 mm	630 mm
Backrest height adjustment (from seat)	165-240 mm	170-245 mm
Backrest width	410 mm	450 mm
Back angle adjustment	27°	27°
Height of armrest above seat	240-320 mm	240-320 mm
Distance between armrests	360-505 mm	360-505 mm
Diameter of base	660 mm	660 mm

The design and specifications of RH Chairs' products are developed on an ongoing basis and the above formulations should not be perceived as completely final.



United Kingdom

RH Chairs
Upper Tulse Hill Trading Estate
5 Somers Place
London SW2 2AL
Tel: +44 (0)20 8683 9930
Fax: +44 (0)20 8683 9940
info@rhform.co.uk
www.rhchairs.co.uk



Our environmental and quality policy
All chairs from RH are 100 per cent recyclable. We also provide assistance in recycling. Just contact us and we'll take care of the rest. How many other chair companies can say that? RH Form AB holds both ISO 14001 environmental certification and ISO 9001 quality certification.